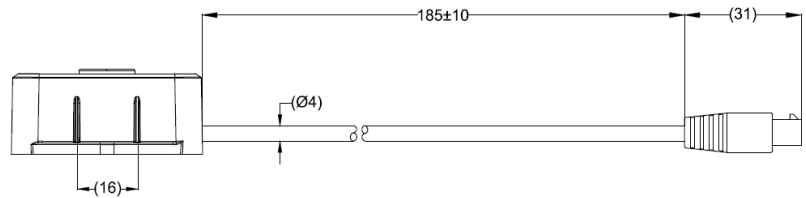
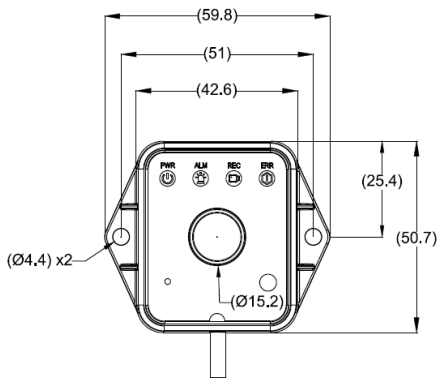


# Product Specification



Brigade Model Number:  
Part Number:

MDR-RP-02  
(6016)



Dimensions: mm

## Environmental Specifications:

- Operating Temperature: -40° to +70 °C
- Storage Temperature: -40° to +85°C

## Approved Standards:

- CE (EN 55032:2015/AC:2016 and EN 55035:2017)
- FCC (CFR 47 Part 15 Subpart B Class B)
- RoHS2
- WEEE

## Technical Specifications:

- Operating Voltage: 5 Vdc
- Power Consumption: 0.4 Watts @ 5 Vdc
- Number of LED Indicators: 4
- Housing Material: ABS+PC
- Finish: Black
- Package Weight: 190.5g
- Dimensions: 59.8mm(W) x 21.3mm(H) x 50.7mm(D)
- Communication: RS485
- Cable Length: 211mm ± 10mm
- Extension Cable Length: 4 metres
- Cable Thickness:
  - Remote Panel Cable: 24 AWG
  - Transfer Cable: 24 AWG

## Features:

- Red panic button to trigger alarms, sensor or snapshots
- LEDs for MDR information such as recording indicator, HDD recording status and presence of HDD
- Built-in light sensor enables 2 levels of automatic LED brightness adjustment to help driver in low light situations
- Built-in buzzer for audible alerts if there is an error in communication between Remote Panel and MDR

## Package Contents:

- 1 x MDR-RP-P MDR Panic Button & Status Panel (Body Only)
- 1 x MDR-04RPC MDR Panic Button & Status Panel - 4m Cable